

SERVO MOTOR



Specification Description

EMJ - 10

A

F

D

2

4

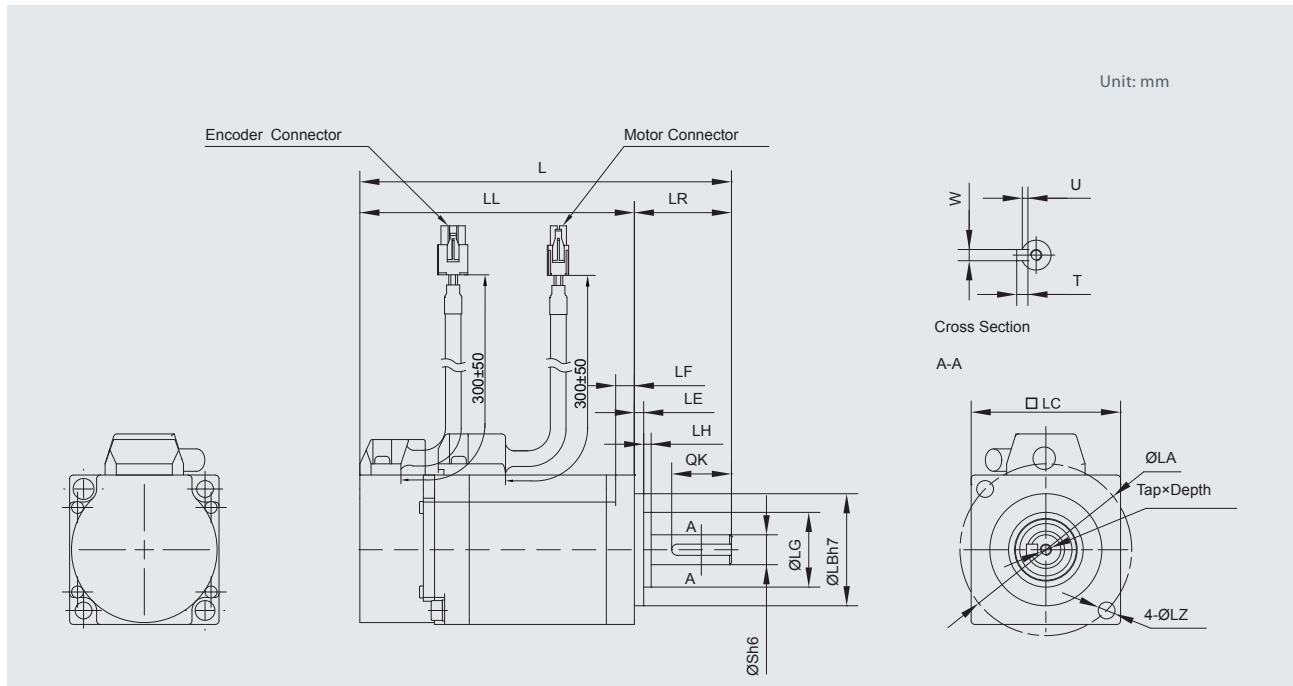
Servo Motor Model	Rated Output Power	Voltage	Encoder	Design Sequence	Shaft End	Option Parts
Sign Spec.	Sign Spec.	Sign Spec.	Sign Spec.	Sign Spec.	Sign Spec.	Sign Spec.
J:EMJ Model Servo Motor	A5: 0.05kW 01: 0.1kW 02: 0.2kW 04: 0.4kW 08: 0.8kW 10: 1kW	A: 200VAC	F: 20-bit Incremental Encoder S: 17-bit Absolute Encoder	A,B, Design Sequence D: Sequence	2:with key	1:None 2:With Oil Seal 3:With Brake (DC24V) 4:With Oil Seal, With Brake (DC24V)

EMJ Servo Motor Rated Value and Specification

Voltage		200VAC					
Servo Motor model		A5ASA□□	01ASA□□	02AFD□□ 02ASA□□	04AFD□□ 04ASA□□	08AFD□□ 08ASB□□	10AFD□□ 10ASB□□
Rated Output Power	kW	0.05	0.1	0.2	0.4	0.75	1
Rated Torque	N·m	0.16	0.32	0.637	1.27	2.39	3.18
Instantaneous Peak Torque	N·m	0.48	0.96	1.91	3.82	7.16	8.8
Rated Current	Arms	0.6	1.1	1.5	2.9	4	5.3
Instantaneous Max current	Arms	1.7	3.0	4.7	9.2	12	15.9
Rated Speed	r/min	3000					
Max. Speed	r/min	5000		4500			
Rotor Moment of Inertia	$\times 10^{-4} \text{kg} \cdot \text{m}^2$	0.019 (0.05)	0.035 (0.052)	0.19 (0.23)	0.31 (0.35)	1.35 (1.47)	1.74 (1.81)
Weight	kg	0.374 (0.566)	0.508 (0.7)	1.21 (1.71)	1.52 (2.17)	2.96 (3.66)	3.69 (4.29)
Brake Rated Voltage		DC24V \pm 10%					
Brake Rated Power	W	4		7.2		11.5	
Brake Rated Torque	N·m	0.318		1.3		3.2	
Encoder		17-bit Absolute encoder		20-bit Incremental Encoder; 17-bit Absolute Encoder			
Insulation Class		F					
Ambient Temperature		0 ~ +40°C(No freezing)					
Ambient Humidity		20%~80% RH(Non-condensing)					
Vibration		Vibration: Dynamic $\leq 49 \text{m/s}^2$ (5G) ; Static $\leq 24.5 \text{m/s}^2$; Shock: $\leq 98 \text{m/s}^2$ (10G)					
Enclosure		Totally Enclosed, Self-cooled, IP65 (Except for shaft opening, when not equipped with oil seal; Except for connector,when not equipped with waterproof plug)					

Note:The values in parentheses are for servo motors with holding brakes.

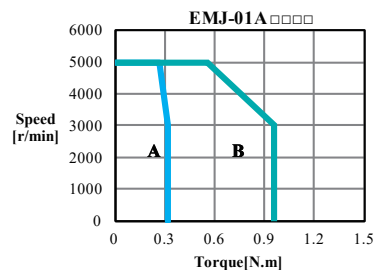
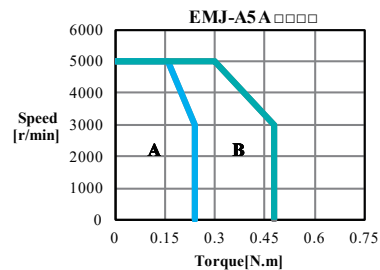
EMJ-A5/01 Dimension



EMJ-	L	LL	Flange Side									S	Tap×Depth	Key			
			LR	LH	LG	LE	LF	LC	LA	LB	LZ			QK	W	T	U
A5ASA	84.5(120.1)	59.5(95.1)	25	2	20	2.5	5	40	46	30	4.5	8	M3×10	16	3	3	1.8
01ASA	98.5(134.1)	73.5(109.1)															

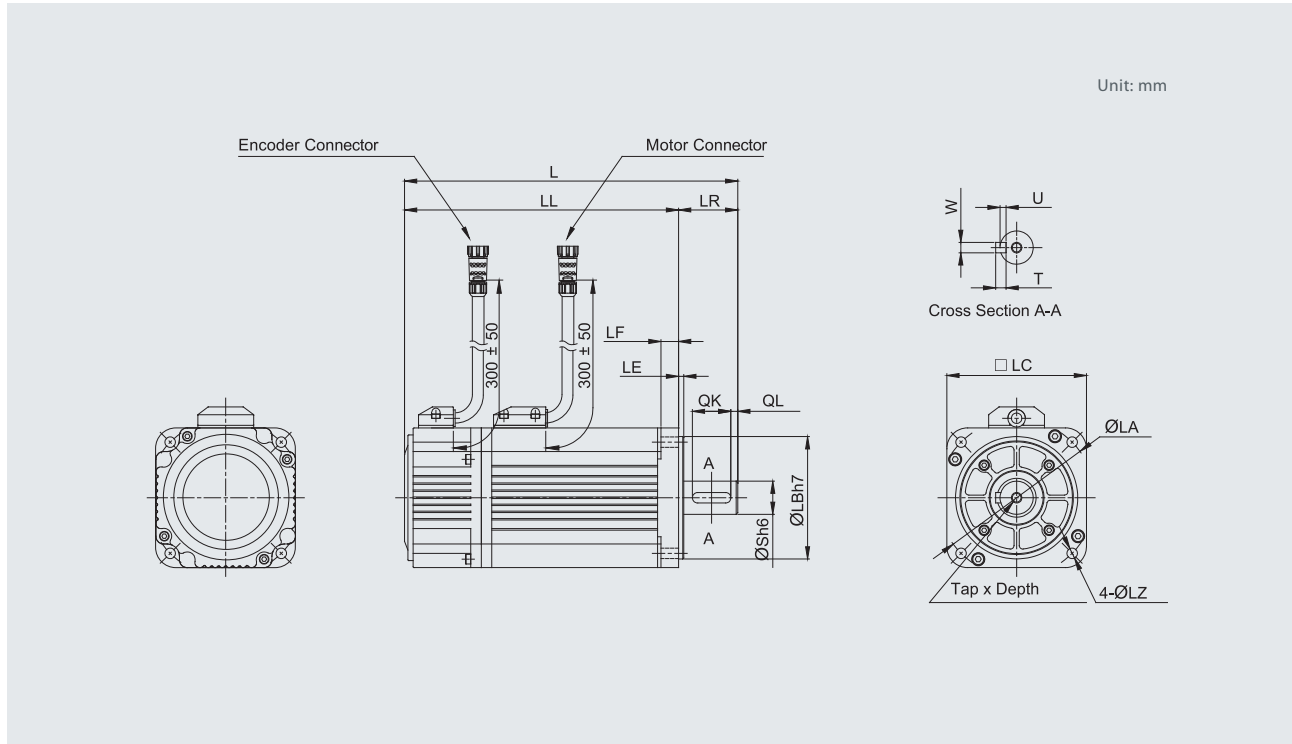
Note: The values in parentheses are for servo motors with holding brakes.

EMJ-A5/01 Torque-Speed Feature



A: Continuous Working Area B: Repeatedly Working Area

EMJ Dimension



EMJ-	L	LL	Flange Side							S	Tap×Depth	Key				
			LR	LE	LF	LC	LA	LB	LZ			QK	W	T	U	Q
02ASA	154(194)	124(164)	30	3	6	60	70	50	5.5	14	M5X10	16	4	5	3	24
02AFD	142(182)	112(152)	30	3	6	60	70	50	5.5	14	M5X10	16	4	5	3	24
04ASA	174(214)	144(184)	30	3	6	60	70	50	5.5	14	M5X10	16	4	5	3	24
04AFD	161(201)	131(171)	30	3	6	60	70	50	5.5	14	M5X10	16	4	5	3	24
08ASB	186(229)	152(192)	35	3	9	80	90	70	7	19	M6X15	22	4	6	3.5	31
08AFD	173(216)	142(182)	35	3	9	80	90	70	7	19	M6X15	22	4	6	3.5	31
10ASB	204(247)	169(212)	35	3	9	80	90	70	7	19	M6X15	22	4	6	3.5	31
10AFD	191(234)	156(199)	35	3	9	80	90	70	7	19	M6X15	22	4	6	3.5	31

Note: The values in parentheses are for servo motors with holding brakes.

EMJ Torque-Speed Feature

